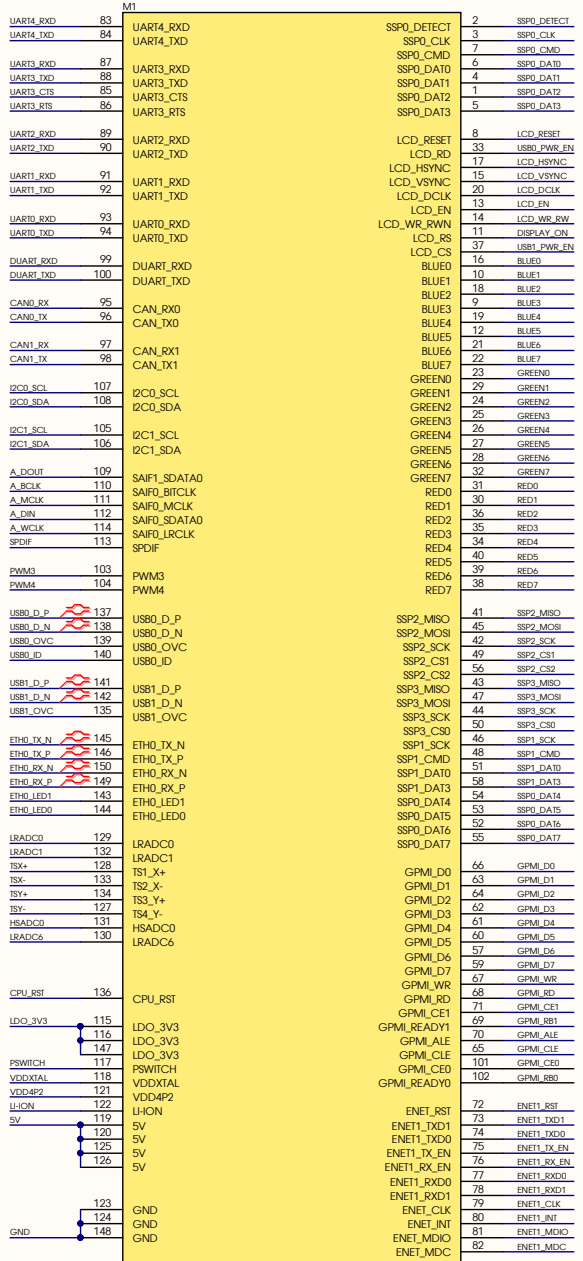
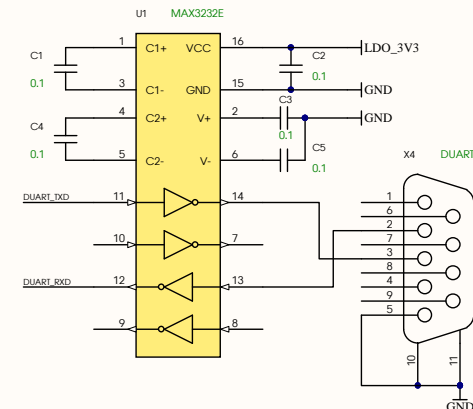


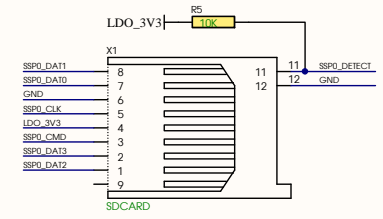
EV-IMX287-Micro Module



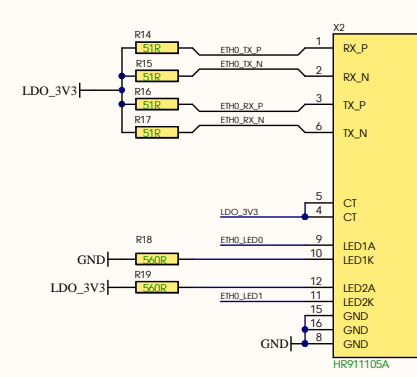
Debug RS-232 (DUART)



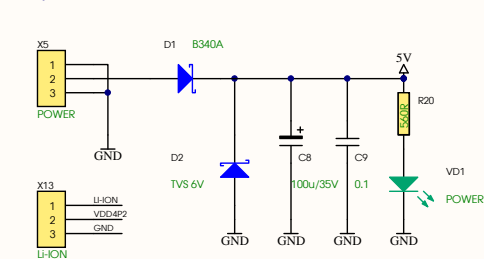
SDcard holder



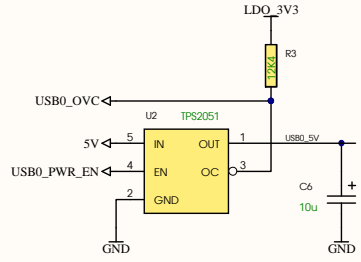
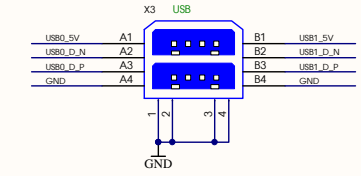
ETH0 Ethernet 10/100



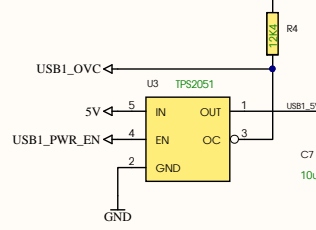
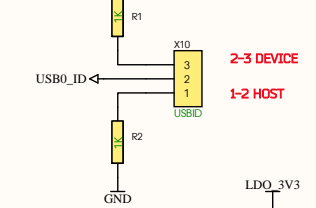
5V power connector



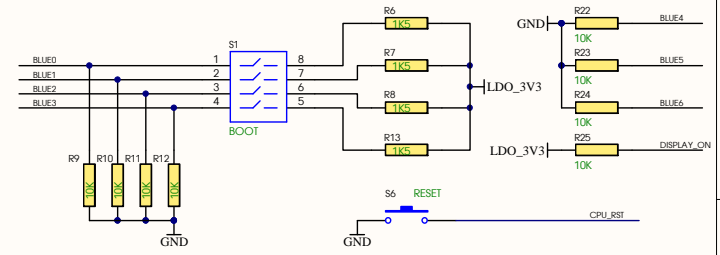
USB switches



USB0 mode



BOOT select



Expansion connector

X8	UART/I2C/CAN	X9	ETH1/GPM/SSP
1	2	1	2
3	4	3	4
5	6	5	6
7	8	7	8
9	10	9	10
11	12	11	12
13	14	13	14
15	16	15	16
17	18	17	18
19	20	19	20
21	22	21	22
23	24	23	24
25	26	25	26
27	28	27	28
29	30	29	30
31	32	31	32
33	34	33	34
35	36	35	36
37	38	37	38
39	40	39	40

USER Led

