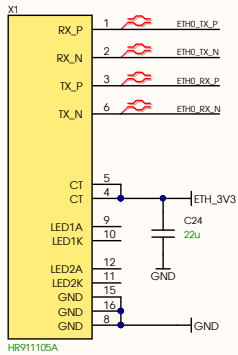
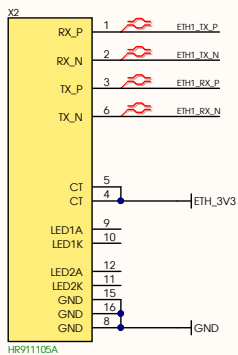


### ETH0

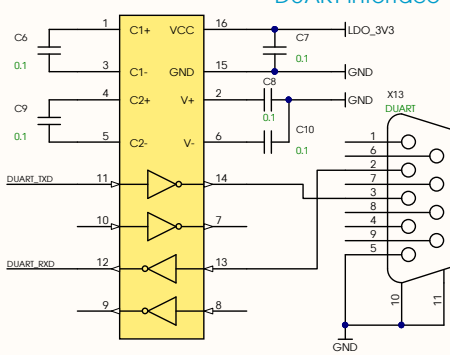


### 10/100 Mb Ethernet

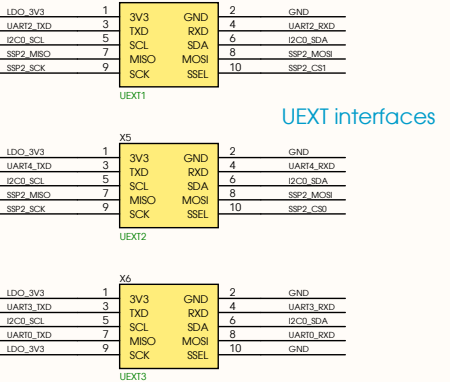
### ETH1



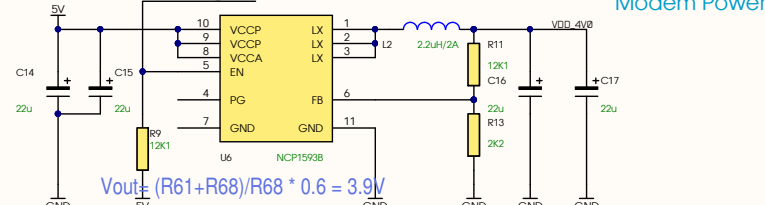
### DUART interface



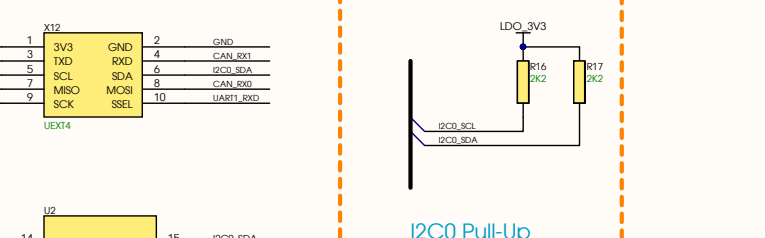
### UEXT interfaces



### Modem Power



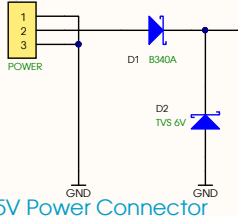
$$V_{out} = (R61 + R68) / R68 * 0.6 = 3.9V$$



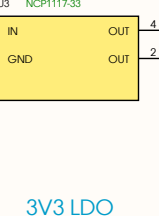
### EV-IMX287-NANO Module

GND	0	0	GND
GND	1	2	GND
USB0_D_N	3	4	SSPO_CLK
USB0_D_P	5	6	SSPO_CMD
USB0_ID	7	8	SSPO_DATA0
USB1_D_N	9	10	SSPO_DATA1
USB1_D_P	11	12	SSPO_DATA2
DUART_RXD	13	14	SSPO_DATA3
DUART_TXD	15	16	SSPO_DETECT
UART0_RXD	17	18	SSP2_SCK
UART0_TXD	19	20	SSP2_MISO
UART1_RXD	21	22	SSP2_MOSI
UART1_TXD	23	24	SSP2_CS0
POWERON_5320	25	26	SSP2_CS1
RESET_5320	27	28	UART2_RXD
CPU_RST	29	30	UART2_TXD
ETH0_TX_N	31	32	UART3_RXD
ETH0_TX_P	33	34	UART3_TXD
ETH0_RX_N	35	36	UART4_RXD
ETH0_RX_P	37	38	UART4_TXD
ETH_3V3	39	40	I2C0_SCL
ETH1_TX_N	41	42	I2C0_SDA
ETH1_TX_P	43	44	CAN_RX0
ETH1_RX_N	45	46	CAN_TX0
ETH1_RX_P	47	48	CAN_RX1
5V	49	50	CAN_TX1
5V	51	52	5V

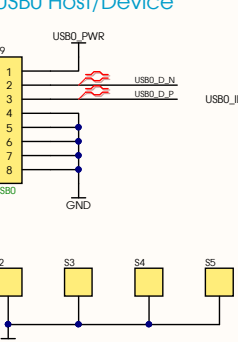
### 5V Power Connector



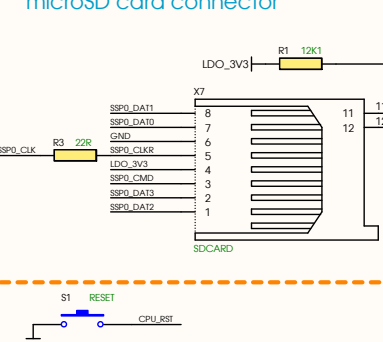
### 3V3 LDO



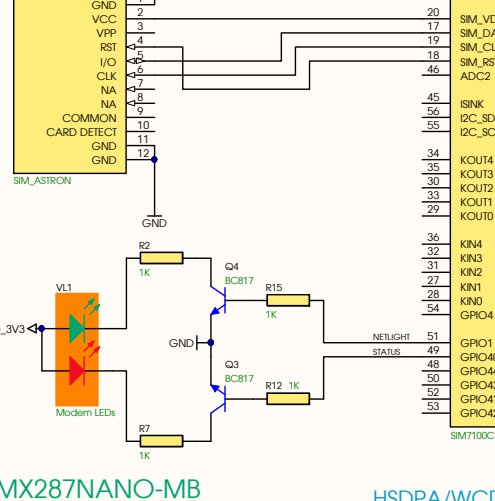
### USB0 Host/Device



### microSD card connector



### Reset Button



EV-IMX287NANO-MB  
www.evodbg.com

HSDPA/WCDA/GPRS/EDGE Modem with GPS

